

Sinn

SPEZIALUHREN ZU FRANKFURT AM MAIN

For all U models
with a 44 mm diameter

DUOFLEX

THE DIVING STRAP SYSTEM

PRACTICAL DURING DIVES – VERSATILE DURING EVERYDAY USE



Silicone strap for the quick-adjustment strap system



Case adapter for fitting the silicone strap



Folding clasp with strap-length quick adjustment

DUOFLEX THE DIVING STRAP SYSTEM

PRACTICAL DURING DIVES – VERSATILE DURING EVERYDAY USE

A situation that many divers are familiar with: the equipment is ready, everything has been checked, the dive can begin. But you are now missing a diving watch as an additional instrument for monitoring the diving time and decompression time. The problem: your diving watch needs to be worn over your wetsuit. But the fact remains that the length of the silicone strap is usually adjusted for wearing directly on the wrist and regular diver extensions are usually inadequate for the necessary additional strap lengths. So what's to be done?

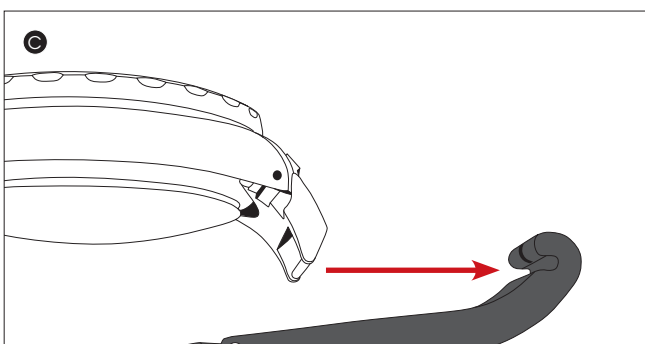
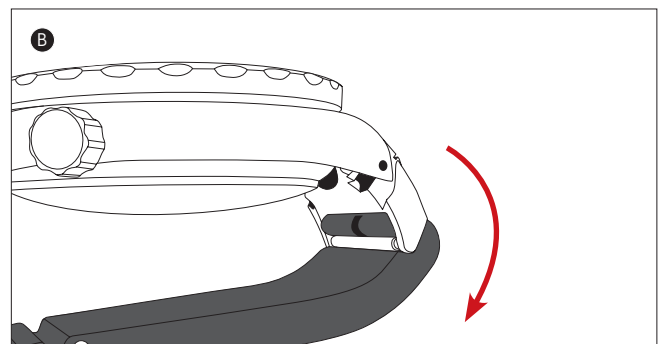
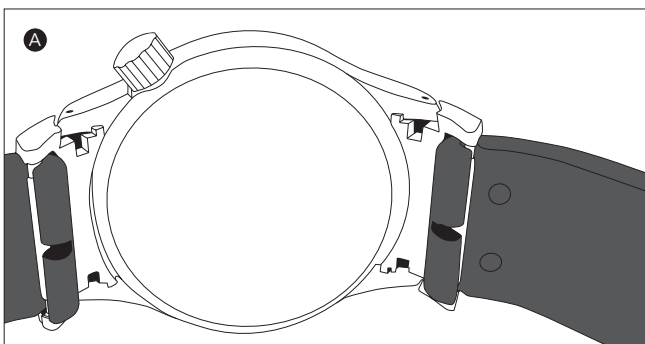
A quick and easy change of silicone strap before the dive would be an enormous help at this point. Firstly because the diver wants to monitor the time of the diving breaks. Secondly because he does not want to be fiddling around with a tool under adverse conditions in order to swap the complete strap. Lastly, there is not always sufficient space on a boat, quite apart from the possibility of losing it. The requirement: it must be possible to adjust the silicone strap on the diving watch easily and without stress, without having to spend a lot of time in preparation. In a nutshell: the diver needs a diving watch with a strap system that can be adjusted as quickly as possible to the different conditions, such as a larger wrist diameter when wearing a wetsuit.

The quick-adjustment strap system

With our quick-adjustment strap system as one of the components of the new DuoFlex, this adjustment can be made instantly. The necessary extension is ensured by means of an easy swap over to a silicone strap with an appropriate length. To remove the strap, simply fold up both halves of the silicone strap one after the other and pull them outwards at the side (see diagram). A special case adapter ensures a smooth fitting in all U models with a 44 mm diameter. In this way, you can attach the longer silicone strap to the watch quickly, without any tools. With this technology, an easy swap over from the 'everyday strap' to the 'diving strap' is possible. Worn on the wrist, the system can withstand the same tensile force as a silicone strap that is usually fitted to the case with spring bars.

The new quick-adjustment strap system therefore offers an extremely easy strap replacement mechanism, which is also extremely useful to you in everyday life, when you are not out diving. For example, in answer to the question: a red silicone strap? Or would you prefer a black silicone strap? Thanks to the quick-adjustment strap system, you can change the silicone strap to suit a specific occasion in just seconds. Or perhaps your decision depends on fashion or aesthetic considerations.

Fitting and removing the DuoFlex



- A** To remove the DuoFlex, remove the watch from your wrist.
- B** Bend one half of the silicone strap downwards towards the case back.
- C** Pull this half of the silicone strap outwards towards the side. Do the same for the other half of the silicone strap. To fit the strap, repeat the process in reverse order.



UX SDR (EZM 2B): The DuoFlex with a black silicone strap. 44 mm ø (scale: 1:1)



U2 S (EZM 5): The DuoFlex with a red silicone strap. Case adapters and folding clasp with a black hard coating on a TEGIMENT Technology base. 44 mm ø (scale: 1:1)



U1: The DuoFlex with a white silicone strap. 44 mm ø (scale: 1:1)

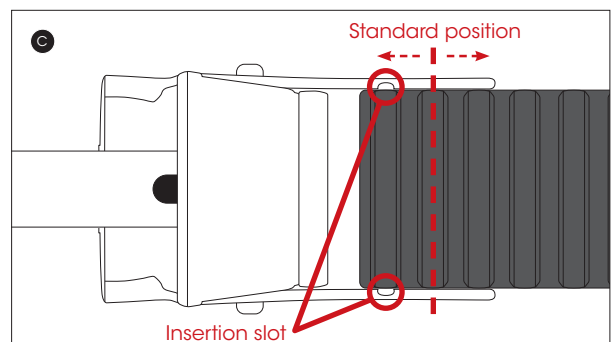
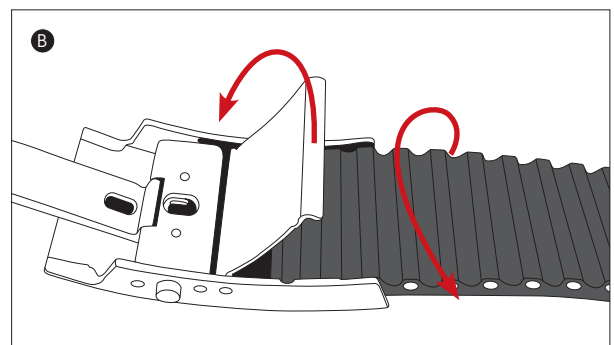
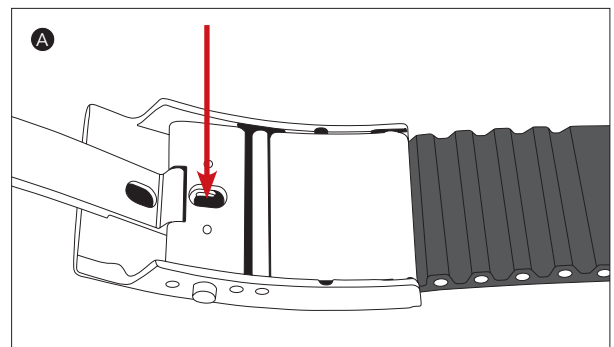
Folding clasp with strap-length quick adjustment

As a watch wearer, you will also be familiar with the following everyday situations: for certain reasons, you need to make your silicone strap looser or tighter. For example when seasonal temperature variations result in changes to your wrist's diameter. Or when you are on holiday and your wrist diameter changes due to the hot or cold climate. In any of these cases, you want to avoid changing the silicone strap. With the aid of our new folding clasp, a component of the DuoFlex, the length of your silicone strap can be easily adjusted to these variations as well as to a wide range of your everyday needs. In contrast to our previous folding clasps without such a comfort setting, the new folding clasp has an integrated strap-length quick-adjustment mechanism, with which you can immediately adjust your silicone strap to make it 5 mm tighter or looser (see diagram).

Quick adjustment of the strap length

Please note: To use the quick adjustment mechanism, first remove the silicone strap with the folding clasp from the watch.

- A** Take the folding clasp in your hand. To fix your grip, press firmly on the underside of the folding clasp with your thumb. Ensure that you do not obstruct the retaining bar with your thumb.
- B** Hold the silicone strap with your other hand to open the retaining bar with a lever action. To do this, fold the side of the silicone strap facing away from you upwards.
- C** From the standard position, the silicone strap can be moved one position forward or back. To make the silicone strap tighter, move it one position to the left. To make the silicone strap looser, move it one position to the right. After making the adjustment, press the retainer bar back into the appropriate free slot on the silicone strap. Check whether the retainer bar is securely locked into place. Then place the silicone strap back onto the watch.



DUOFLEX THE DIVING STRAP SYSTEM

MODELS – VARIANTS – PRICES

In the final analysis, our new DuoFlex is a logical solution for a diving extension, which covers the full spectrum – from wearing your watch directly on your wrist to over a dry suit. The DuoFlex is compatible with all U models with a diameter of 44 mm.

Our DuoFlex offers you a high level of flexibility.

Whether you are purchasing a new U model or you already have one and you want to fit it out appropriately: with our components your options are wide open.

- You can purchase a new U model and opt for the complete DuoFlex straight away.
- You can retrofit your U model with the complete DuoFlex or only the folding clasp.





The DuoFlex in a case as a retrofitting kit. The kit also includes a practical storage pouch in which you can store your replacement strap and other accessories. The black pouch provides safe protection from splash water, dirt and sand. The pouch is fitted with a rolling closing mechanism and a plug cap.



OVERVIEW

SUPPLEMENT WHEN PURCHASING A NEW WATCH WITH THE DUOFLEX



(1 silicone strap, 2 case adapters, 1 folding clasp)

Model	Surcharge on the model price with (standard) silicone strap
U1, U1 B, U1 Camouflage, U1 SDR U2, U2 SDR UX, UX SDR, UX GSG 9, UX SDR GSG 9	*
Model (case with St )	
U1, U1 B, U1 Camouflage, U1 SDR U2, U2 SDR UX, UX SDR, UX GSG 9, UX SDR GSG 9	*
Model (case with S-PVD )	
U1 S, U1 S E U2 S UX S, UX S GSG 9	*

KIT

	St	St 	S-PVD 
DuoFlex retrofitting kit (1 silicone strap, 2 case adapters, 1 folding clasp, splash-proof storage pouch)	*	*	*

INDIVIDUAL PRICES

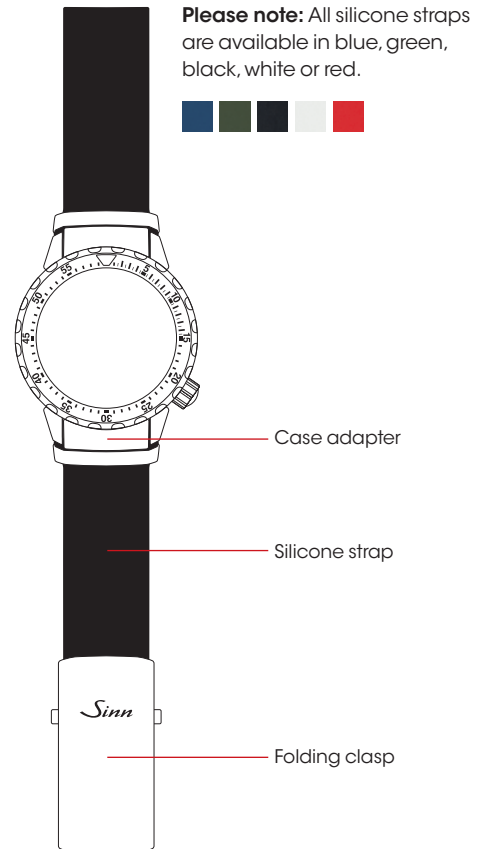
	St	St 	S-PVD 
2 case adapters	*	*	*
1 silicone strap with folding clasp	*	*	*
1 folding clasp with strap-length quick adjustment	*	*	*
1 silicone strap without folding clasp			*

 TEGIMENT Technology

S-PVD  S-PVD black hard coating

Please note: If you wish to replace an existing folding clasp with diving extension with a folding clasp with band-length quick adjustment, you will also need a new silicone strap owing to the different dimensions of the clasp.

* Please contact your local dealer for further price information.



Sinn

SPEZIALUHREN ZU FRANKFURT AM MAIN

Sinn Spezialuhren GmbH
Wilhelm-Fay-Straße 21 · 65936 Frankfurt/Main
Tel +49 (0)69 97 84 14-200 · www.sinn.de
Fax +49 (0)69 97 84 14-201 · vertrieb@sinn.de